

Midwest Electric Products, Inc.

# Most Useful Power Outlet

## 20A Weather- and Tamper-Resistant GFCI Receptacle

At Midwest Electric, we call this the Most Useful Power Outlet because of its versatility. Use it to power landscape lighting and accessories, engine block heaters, outdoor battery charging, farm and ranch applications, and anything where a 20A ground-fault protected receptacle would come in handy.

- Fits Midwest's the new attachable post
- Angled deadfront provides clearance for septic unit applications
- Excellent corrosion protection and durability:
  - G-90 galvanized steel with highest quality electro-deposition finish
  - Welded flange NEMA 3R construction for lasting service in outdoor installations
- User safety and simplicity are built in:
  - Rolled edge door protects cords
  - Padlock provisions prevent unauthorized access
  - Door holds in open position for convenience
  
- All terminals accept copper or aluminum wire for added installation flexibility
- All components factory wired and assembled, reducing installation time
- Includes 12-2 Cu Al equipment ground lug
- All-in-one construction for factory assured terminations
- Listed by Underwriters Laboratories. UL & CUL Approved



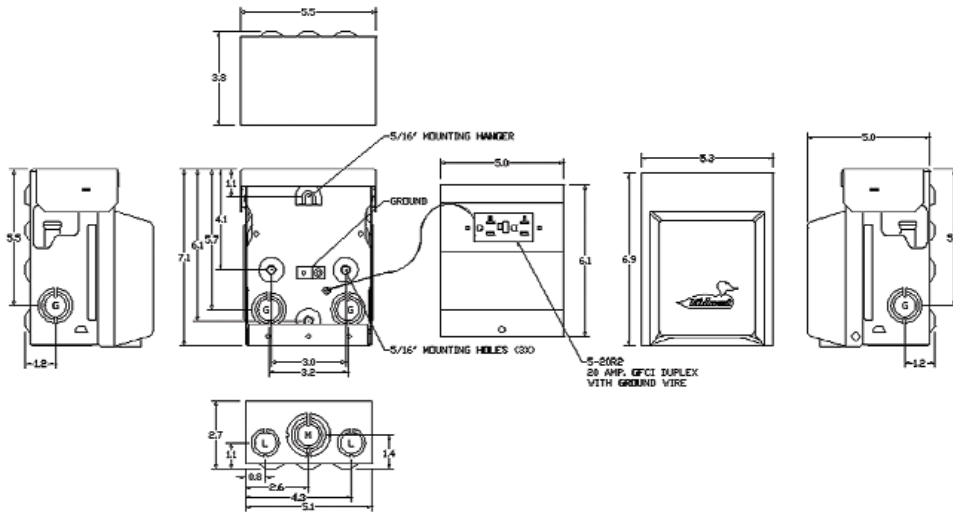
Most Useful Power Outlet  
20A Weather- and Tamper-Resistant GFCI Receptacle

**Specifications**

Catalog Number	U010SEP
Mounting	Surface
Receptacles	(1) 5-20R2GFCI (20A GFCI)
Feed	Underground
AIC	10,000
Volts	120
Amps	20
Cabinet Size	5 X 7
Certification	UL/CUL
Unit Weight	4.5 lbs.



**Dimensions**



**Knockouts**

Symbol	Knockout
L	1/2", 3/4"
M	1/2", 3/4", 1", 1 1/4"
G	1/2", 3/4", 1"

**Wire Range (Copper)**

Connector	Solid	Stranded
Line	14-10	14-10
Load	14-10	14-10
Neutral	14-10	14-10
Equipment Ground	12-8	12-2

Information provided is subject to change without notice. Please verify all details with Midwest Electric Products. All values are design or typical values when measured under laboratory conditions, and Midwest makes no warranty or guarantee, express or implied, that such performance will be obtained under end-use conditions.

Midwest Electric Products, Inc.  
PO Box 910 • 58155 240th Street  
Mankato, MN 56002-4414  
Customer Service: 866-685-0577 • Fax: 804-965-1041

[www.midwestelectric.com](http://www.midwestelectric.com)

MET-008 (09/10)

